

KLOROGEN[®]

PARALLEL PLATE ELECTROLYZER



Bipolar Electrolyzer
Capacity : 15 g/hr to 6 Kg/hr
Anode Coating : ATMA[™]

Application
WATER DISINFECTION

KLOROGEN[®]

BRINE WATER ELECTROLYZER

Parallel Plate Type Assembly are designed to meet the ever growing needs of Synthetic Brine Chlorination requirements



plate
electrolyzer

Specification

Electrolyzer Body

GRP with PVC inner lining for good corrosion resistance and outdoor stability. Flanges are integrally molded for positive sealing.

Anodes

ATMA[™] - Activated Titanium Metal Anodes with precious metal oxide coating.

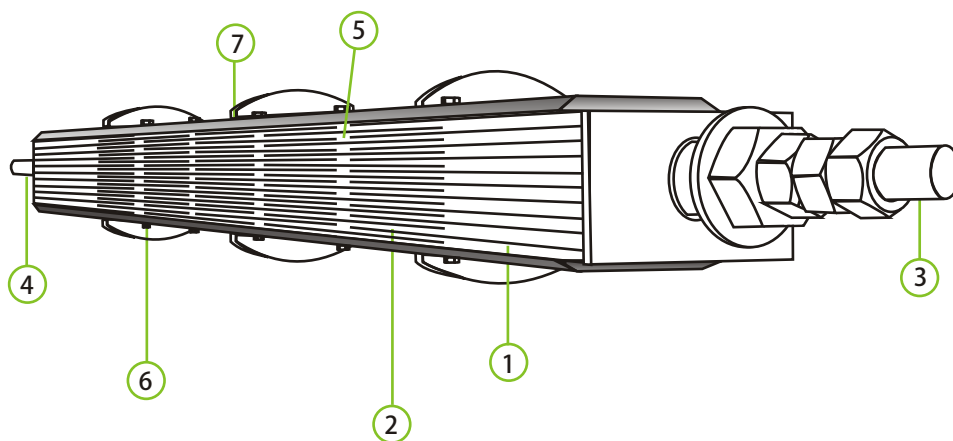
Cathodes

Standard titanium cathodes.

Optional

Transparent / Clear PVC Body
PVC /CPVC + GRP body with sight glass.

BRINE WATER ELECTROLYZER



ELECTROLYZER ASSEMBLY

- Electrolytic Cell 1
- Bipolar Electrode 2
- Anodic Head 3
- Cathodic Head 4
- Spacer 5
- Tie Rod 6
- Plastic Frame 7

Prod Cells

BRINE WATER ELECTROLYZERS - HORIZONTAL			
Capacity Kg/hr	MODEL		Flange Standard
	STANDARD TYPE	TRANSPARENT TYPE	
	WITHOUT SIGHT GLASS		
1.0	KLOROGEN-HB1K	KLOROGEN-HB1KT	ANSI B16.5, #150
2.0	KLOROGEN-HB2K	KLOROGEN-HB2KT	
3.0	KLOROGEN-HB3K	KLOROGEN-HB3KT	
5.0	KLOROGEN-HB5K	KLOROGEN-HB5KT	
6.0	KLOROGEN-HB6K	KLOROGEN-HB6KT	

Prod Cells

BRINE WATER ELECTROLYZERS - VERTICAL			
Capacity Kg/hr	MODEL		Flange Standard
	STANDARD TYPE	TRANSPARENT TYPE	
	WITHOUT SIGHT GLASS		
1.0	KLOROGEN-VB1K	KLOROGEN-VB1KT	ANSI B16.5, #150
2.0	KLOROGEN-VB2K	KLOROGEN-VB2KT	
3.0	KLOROGEN-VB3K	KLOROGEN-VB3KT	
5.0	KLOROGEN-VB5K	KLOROGEN-VB5KT	
6.0	KLOROGEN-VB6K	KLOROGEN-VB6KT	

BRINE WATER ELECTROLYZER

Micro Cells

BRINE WATER ELECTROLYZERS - MICROCELLS		
Capacity g/hr	MODEL	Flange Standard
15	KLOROGEN M15	ANSI B16.5, #150
20	KLOROGEN M20	
25	KLOROGEN M25	
30	KLOROGEN M30	
35	KLOROGEN M35	
40	KLOROGEN M40	
45	KLOROGEN M45	
50	KLOROGEN M50	
60	KLOROGEN M60	
70	KLOROGEN M70	
80	KLOROGEN M80	
90	KLOROGEN M90	
100	KLOROGEN M100	
110	KLOROGEN M110	
120	KLOROGEN M120	

Mini Cells

BRINE WATER ELECTROLYZERS - MINI CELLS		
Capacity g/hr	MODEL	Flange Standard
125	KLOROGEN B125	ANSI B16.5, #150
150	KLOROGEN B150	
175	KLOROGEN B175	
200	KLOROGEN B200	
225	KLOROGEN B225	
250	KLOROGEN B250	
275	KLOROGEN B275	
300	KLOROGEN B300	
350	KLOROGEN B350	
400	KLOROGEN B400	
450	KLOROGEN B450	
500	KLOROGEN B500	