

Cloromarine™

DISC ELECTROLYZER



Bipolar Electrolyzer

Capacity : 150 to 750 g/hr

Application: OFFSHORE / MARINE

Cloromarine™

SEAWATER ELECTROLYZER

Disc Type Assembly designed for ingress protection (IP) rating of Min 55 suitable for harsh environments in Offshore & Marine applications.



disc
electrolyzer

Specification

Electrolyzer Body

PTFE (Teflon) body with SS316L outer enclosure.

Anodes

ATMA™ - Activated Titanium Metal Anode
with precious metal oxide coating OR

EPMA™ - Electroplated Platinum Metal Anode.

Cathodes

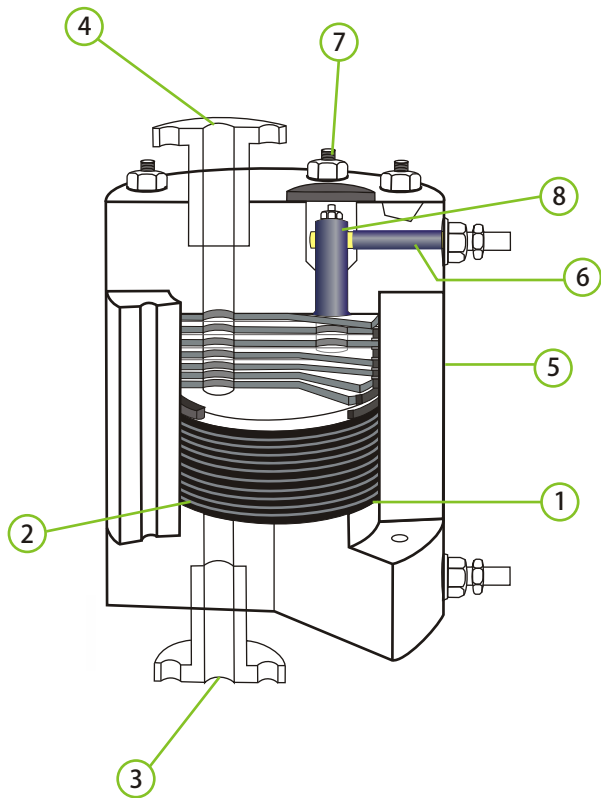
EPMA™ Cathode

Optional

SS316L enclosure with ATEX or IECEX certification on request.

Cloromarine™

SEAWATER ELECTROLYZER



DISC ELECTROLYZER ASSEMBLY

- Electrolytic Cell 1
- Bipolar Electrode 2
- Seawater Inlet 3
- Hypo Outlet 4
- Cell Body 5
- Power Cable 6
- Mech. Stud 7
- Electric Stud 8

Capacity g/hr	MODEL	END CONNECTION
150	CLOROMARINE-150	ANSI B16.5
250	CLOROMARINE-250	ANSI B16.5
400	CLOROMARINE-400	ANSI B16.5
500	CLOROMARINE-500	ANSI B16.5
750	CLOROMARINE-750	ANSI B16.5

Notice : As TiTaN is continually improving its products, specifications are subject to change without prior notice.

